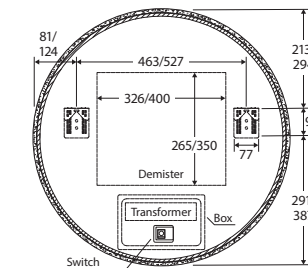
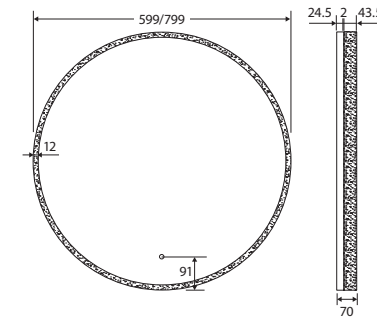


Sansa® Round LED MIRROR

600 MM & 800 MM

Features

- Cool white colour temperature (4000K)
- Built-in demister
- Illuminating touch sensor for light and demister
- 5 mm thick glass mirror with frosted lighting
- 12 mm thick frosted acrylic and matte white frame
- Wall mounting screws and anchor plugs included
- Supplied in extra strong packaging for added protection
- 220-240V AC 50/60Hz



Cleaning & Care

Glass Mirror:

For best results, clean mirrors with a combination of 30% methylated spirits to 70% water and a soft, non-abrasive cloth designed for use on glass surfaces.

Edge:

- Regularly clean with mild soapy water using a microfibre cloth.
- In highly polluted or coastal locations, we recommend cleaning 2-3 times per week.
- Do not use harsh detergents, bleach, cream cleaners or citrus based cleaners. These substances are abrasive and will damage the surface.
- Do not use undue pressure and wipe in one direction only.



Touch sensor for demister and light switch

Available in



600 mm
Clear Acrylic Edge
LED05-R60



800 mm
Clear Acrylic Edge
LED05-R80

While we aim to ensure specifications are correct at the time of publication, Fienza reserves the right to make modifications without prior notice. Physical colour may vary from image shown. All measurements are shown in millimetres. Always use physical product measurements for mark-ups and roughing-in as the technical drawing may differ from actual product received.