

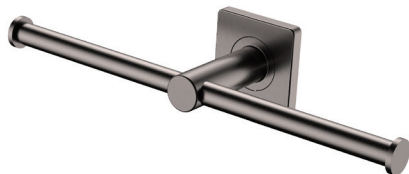
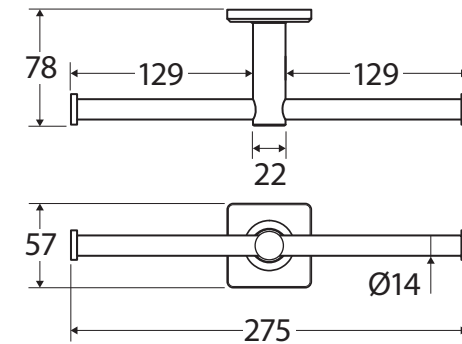
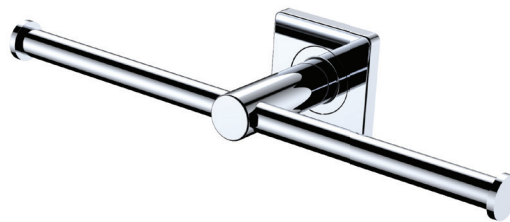
# Sansa<sup>®</sup>

## DOUBLE TOILET ROLL HOLDER

### Features

- Soft square cover plate
- Super strong 4-point wall mount
- One side is removable for mounting cover plate
- Fully concealed fixings
- Made from stainless steel
- Hex key not required for installation

**Please Note:** These products may have a visible Fienza or Watermark logo.



### Available in



Electroplated  
Chrome  
**83209**



Electroplated  
Matte Black  
**83209MB**



PVD  
Brushed Nickel  
**83209BN**



PVD  
Gun Metal  
**83209GM**

### Cleaning & Care

- Regularly clean with mild soapy water using a microfibre cloth.
- In highly polluted or coastal locations, we recommend cleaning 2-3 times per week.
- Do not use harsh detergents, bleach, cream cleaners or citrus based cleaners. These substances are abrasive and will damage the surface.
- Do not use undue pressure and wipe in one direction only

While we aim to ensure specifications are correct at the time of publication, Fienza reserves the right to make modifications without prior notice. Physical colour may vary from image shown. All measurements are shown in millimetres. Always use physical product measurements for mark-ups and roughing-in as the technical drawing may differ from actual product received.