

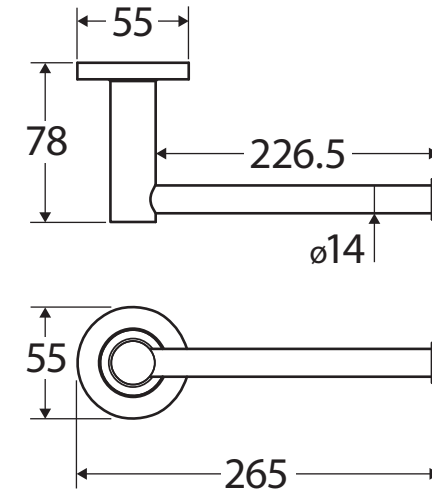
Axle®

HAND TOWEL RAIL/ ROLL HOLDER

Features

- Unique Industrial cross-hatched cover plates
- Super strong 4-point wall mount
- Can be mounted horizontally for hand towel or vertically for storing 2 toilet paper rolls
- Reversible – can be mounted left-hand or right-hand facing
- Made from stainless steel
- Hex key not required for installation
- Fully concealed fixings
- Upgrade the look with different cover plate styles and finishes
- All products come with matching round Axle cover plate as standard

Please Note: These products may have a visible Fienza or Watermark logo.



Available in



Chrome
83105



Brushed Nickel
83105BN



Gun Metal
83105GM



Matte Black
83105MB



Urban Brass
83105UB



Mixed finishes
available. See our
website for details.

Cleaning & Care

- Regularly clean with mild soapy water using a microfibre cloth.
- In highly polluted or coastal locations, we recommend cleaning 2-3 times per week.
- Do not use harsh detergents, bleach, cream cleaners or citrus based cleaners. These substances are abrasive and will damage the surface.
- Do not use undue pressure and wipe in one direction only

While we aim to ensure specifications are correct at the time of publication, Fienza reserves the right to make modifications without prior notice. Physical colour may vary from image shown. All measurements are shown in millimetres. Always use physical product measurements for mark-ups and roughing-in as the technical drawing may differ from actual product received.