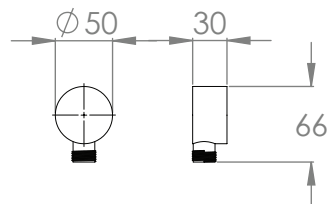
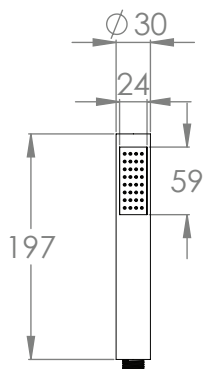
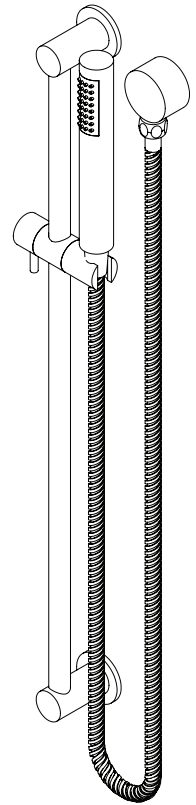
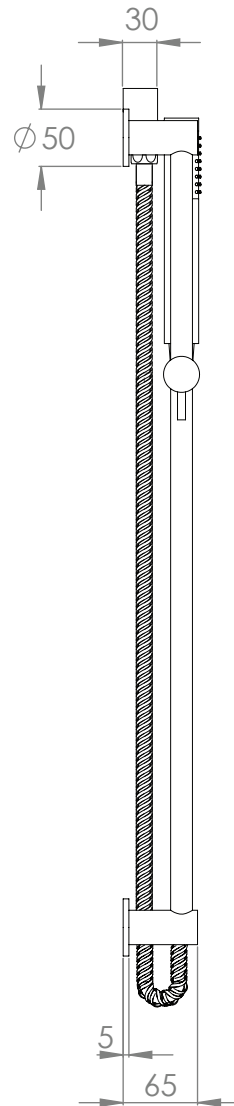
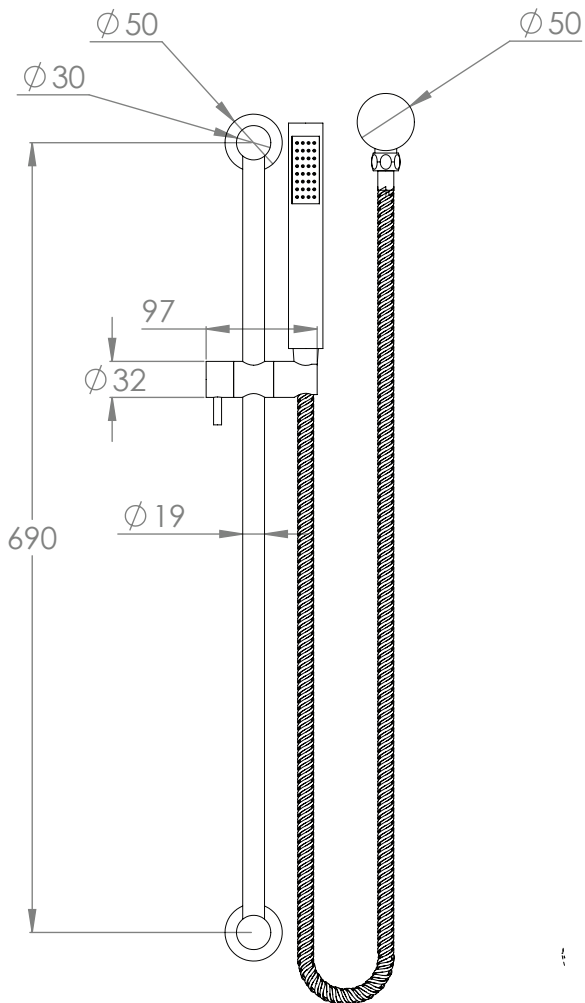


# SPECIFICATIONS

## SOUL HAND SHOWER ON RAIL

# Adp



### Soul:

- JTAPSRSETSOUCP (Chrome)
- JTAPSRSETSOUBK (Matte Black)
- JTAPSRSETSOUNK (Brushed Nickel)
- JTAPSRSETSOUBB (Brushed Brass)
- JTAPSRSETSOUWA (Matte White)
- JTAPSRSETSOUBCO (Brushed Copper)

### Water supply requirements

Not recommended for gravity fed water systems or water tanks.

Working Pressure: 350 – 500kpa (including cold and hot water pressure)  
 Maximum Pressure: 73psi / 500kpa  
 Temperature Rating: 5°C - 65°C (must not exceed 70°C)

Installation should comply with Australian standard AS/NZS 3500 or relevant local authority requirements.