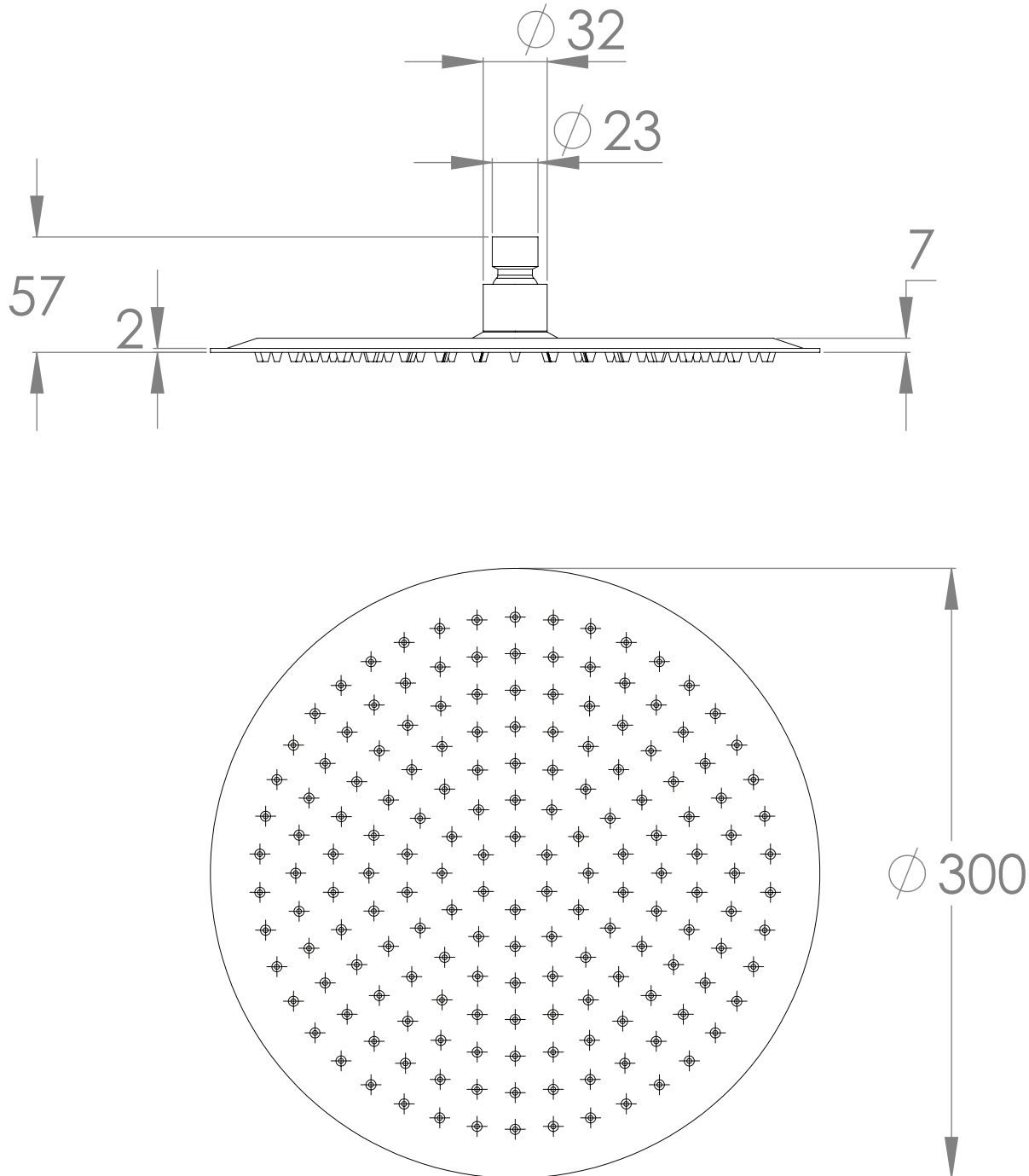


SPECIFICATIONS

SOUL SHOWER ROSE

Adp



Soul:

JTAPRSOUCP
 JTAPRSOUBK
 JTAPRSOUNK
 JTAPRSOUBB
 JTAPRSOUWA
 JTAPRSOUBCO

(Chrome)
 (Matte Black)
 (Brushed Nickel)
 (Brushed Brass)
 (Matte White)
 (Brushed Copper)

Water supply requirements

Not recommended for gravity fed water systems or water tanks.

Working Pressure: 350 – 500kpa (including cold and hot water pressure)
 Maximum Pressure: 73psi / 500kpa
 Temperature Rating: 5°C - 65°C (must not exceed 70°C)

Installation should comply with Australian standard AS/NZS 3500 or relevant local authority requirements.