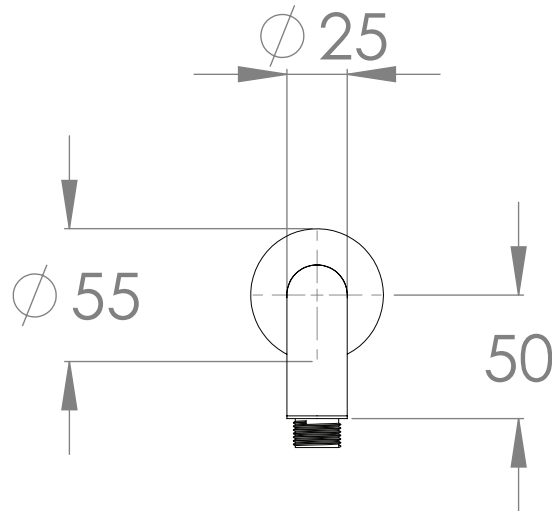


SPECIFICATIONS

SOUL SHOWER ARM 450MM

Adp



Soul:

JTAPSASOWCP	(Chrome)
JTAPSASOWBK	(Matte Black)
JTAPSASOWNK	(Brushed Nickel)
JTAPSASOWBB	(Brushed Brass)
JTAPSASOWWA	(Matte White)
JTAPSASOWBCO	(Brushed Copper)

Water supply requirements

Not recommended for gravity fed water systems or water tanks.

Working Pressure:	350 – 500kpa	(including cold and hot water pressure)
Maximum Pressure:	73psi / 500kpa	
Temperature Rating:	5°C - 65°C	(must not exceed 70°C)

Installation should comply with Australian standard AS/NZS 3500 or relevant local authority requirements.